

# LDY-75B

### Application range

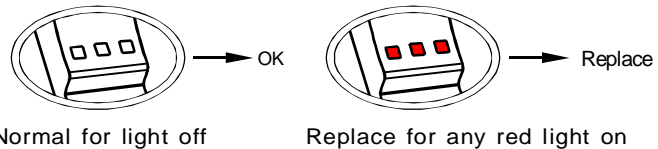
LDY-75B series are applied to equipotential bonding of the main low voltage distribution boxes in the building, providing protection against the overvoltage arising from the lightning strike to the power supply system of class I or faulty operation (option from standard IEC61643-1 and GB50343)

### Main features

- ☆ Build-in temperature control and circuit breaking technology, high security performance.
- ☆ Light-off in notice window indicates normal, red indicates broken, which are clear and easy distinguished.
- ☆ Function of lightning protection backup, the protection ability is available without red light on.
- ☆ Optional telesignalisation monitoring interface, realizable remote monitoring.
- ☆ Realizable Kevin wiring, to reduce conductor resistance.
- ☆ Assembled 1P+N, 2P, 3P+N, 4P etc pattern. applied for various electric network system.

### Invalid disengage device

When the protector is overheated and invalid arising from the aging or breakdown, the build-in invalid disengage device can automatically break away from the electric network, meanwhile reporting failure signal. The indicator is light off while in regular work, will turn into red after invalid and disengagement.



### Main technical data

Type	LDY-75B			LDY-NPE/75B
Max. continuous AC Voltage Uc V	275	385	420	275
Part No.	081702	081703	081704	081400
Voltage protection level Up KV	<2.3	<2.5	<2.8	<2.0
Normal discharge current In (8/20 μs) kA	75			75
Max. Discharge current Imax (8/20 μs) kA	120			120
Leakage current 75% Uc 1mA	≤20 μA			-
Response time ns	<25			<100
Compound mode	1P、1P+N、2P、3P、3P+N、4P			
Enclosure material	enhanced flame retardant nylon (light gray, flame retardancy: V0)			
Max. backup fuse/airbreak switch	160A gL			
Cross-sectional area	≥ 16mm <sup>2</sup> stranded/flexible			

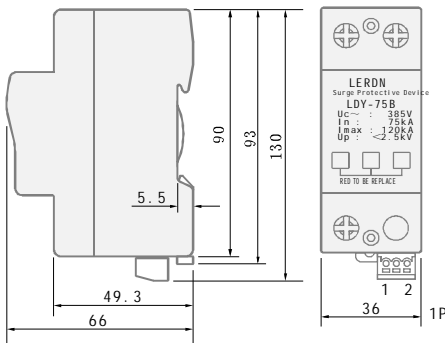
### Ordering description (take Uc: 385V as example)

Type/assemblage	Part No.	Type/assemblage	Part No.
LDY-75B/1P	08 1703 1	LDY-75B/3P	08 1703 3
LDY-75B/2P	08 1703 2	LDY-75B/4P	08 1703 4
LDY-75B/1P+N	08 1703 5	LDY-75B/3P+N	08 1703 6
LDY-NPE/75B	08 1703 0		

Notice: please indicate the Uc voltage when place the orde



Appearance and installation dimension



### Schematic circuit diagram

