

LDY-40B

Application range

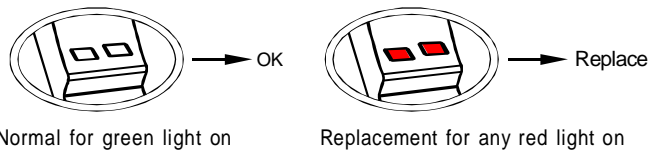
LDY-40B series are applied to equipotential bonding of the main low voltage distribution boxes in the building, providing protection against the overvoltage arising from the lightning strike to power supply system of class 2 or faulty operation. (option from standard IEC61643-1 and Gb50343)

Main features

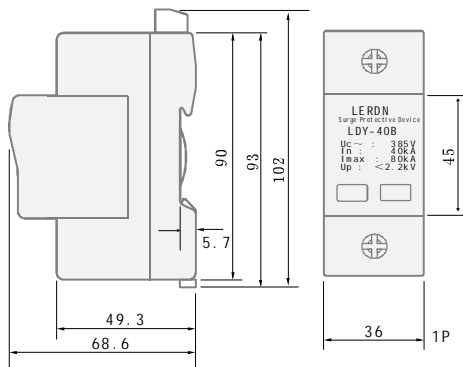
- ☆ Plug & Play design, live-wire replacement, easy maintenance.
- ☆ Build-in temperature control and circuit breaking technology, high security performance
- ☆ Green light in notice window indicates normal, red indicates broken, replacement notice, which are clear and easy distinguished.
- ☆ Optional telesignalisation monitoring interface, realizable remote monitoring.
- ☆ Function of lightning protection backup, half of protection ability is available while either red light on.
- ☆ Assembled 1P+N, 2P, 3P+N, 4P etc pattern. applied for various electric network system

Invalid disengage device

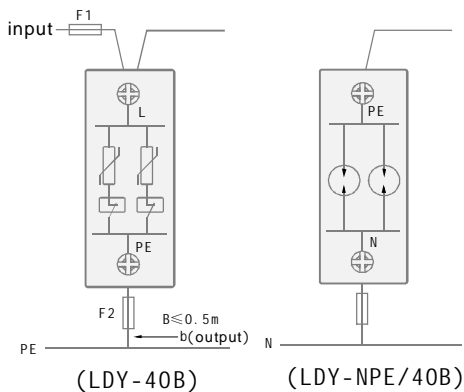
When the protector is overheated and invalid arising from the aging or breakdown, the build-in invalid disengage device can break away from the electric network, meanwhile reporting failure signal. The indicator is green when in regular work situation, will turn into red after invalid and disengagement.



Appearance and installation dimension



Schematic circuit diagram



Main technical data

| Type | LDY-40B | | | LDY-NPE/40B |
|--|---|-------|-------|-------------|
| Max. continuous AC Voltage U_c V | 275 | 385 | 420 | 275 |
| Part No. | 08402 | 08403 | 08404 | 08400 |
| Voltage protection level U_p KV | <2.0 | <2.2 | <2.5 | <1.5 |
| Nominal discharge current I_n (8/20 μ s) kA | 40 | | | 40 |
| Max. Discharge current I_{max} (8/20 μ s) kA | 80 | | | 80 |
| Leakage current 75% U_c 1mA | $\leq 20 \mu A$ | | | — |
| Response time ns | <25 | | | <100 |
| Compound mode | 1P, 1P+N, 2P, 3P, 3P+N, 4P | | | |
| Enclosure material | enhanced flame retardant nylon (light gray, flame retardancy: V0) | | | |
| Max. backup fuse/airbreak switch | 125A gL | | | |
| Cross-sectional area | $\geq 10mm^2$ stranded/flexible | | | |

Ordering description (take U_c : 385V as example)

| Type/assemblage | Part No. |
|-----------------|-----------|
| LDY-40B/1P | 08 1403 1 |
| LDY-40B/2P | 08 1403 2 |
| LDY-40B/1P+N | 08 1403 5 |
| LDY-NPE/40B | 08 1403 0 |

| Type/assemblage | Part No. |
|-----------------|-----------|
| LDY-40B/3P | 08 1403 3 |
| LDY-40B/4P | 08 1403 4 |
| LDY-40B/3P+N | 08 1403 6 |

Notice: please indicate the U_c voltage when place the order