

LDY-20C

Application range

LDY-20C series are applied to equipotential bonding of the low voltage distribution boxes in the building, providing protection against the overvoltage arising from the lightning strike to the power supply system of class 3 or faulty operation.

Main features

- ☆ Plug & Play design, live-wire replacement, easy maintenance.
- ☆ Built-in temperature control and circuit breaking technology, high security performance.
- ☆ Green light in notice window indicates normal, red indicates broken, replacement notice, which are clear and easy distinguished.
- ☆ Optional tele-signalisation monitoring interface, realizable remote monitoring.
- ☆ External bus-barwire, single pieces free assembled, easy project construction
- ☆ Assembled 1P+N, 2P, 3P+N, 4P etc pattern, applied for various electric network system.

Invalid disengage device

When the protector is overheated and invalid arising from the aging or breakdown, the invalid disengage device can break away from the electric network, meanwhile reporting failure signal. The indicator is green when in regular work situation, will turn into red after invalid and disengagement.



OK

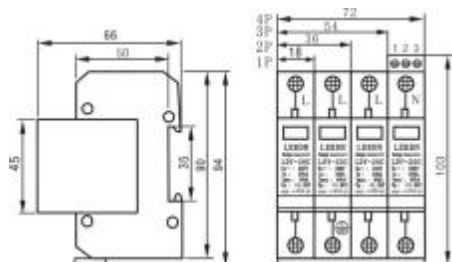
Normal for green light on



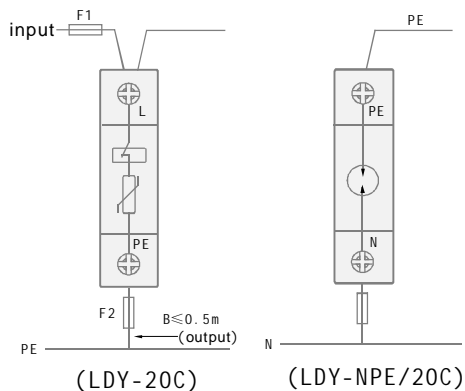
Replace

Replacement for red light on

Appearance and installation dimension



Schematic circuit diagram



Main technical data

Type	LDY-20C			LDY-NPE/20C
Max. continuous AC Voltage U_c V	275	385	420	275
Part No.	081202	081203	081204	081200
Voltage protection level U_p KV	<1.5	<1.8	<2.0	<1.5
Normal discharge current I_n (8/20 μ s) kA	20			20
Max. Discharge current I_{max} (8/20 μ s) kA	40			40
Leakage current 75% U_c 1mA	$\leq 20 \mu$ A			—
Response time ns	<25			<100
Compound mode	1P, 1P+N, 2P, 3P, 3P+N, 4P			
Enclosure material	enhanced flame retardant PBT (light gray, flame retardancy: V0)			
Max. backup fuse/airbreak switch	80A gL			
Cross-sectional area	$\geq 10 \text{ mm}^2$ stranded/flexible			

Ordering description (take U_c : 385V as example)

Type/assemblage	Part No.
LDY-20C/1P	08 1203 1
LDY-20C/2P	08 1203 2
LDY-20C/1P+N	08 1203 5
LDY-NPE/20C	08 1203 0

Type/assemblage	Part No.
LDY-20C/3P	08 1203 3
LDY-20C/4P	08 1203 4
LDY-20C/3P+N	08 1203 6

Notice: please indicate the U_c voltage when place the order