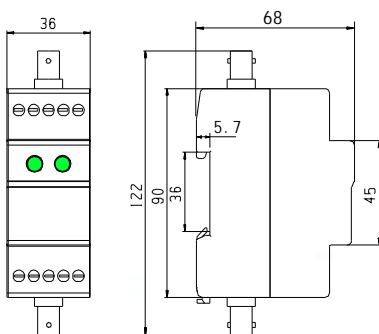


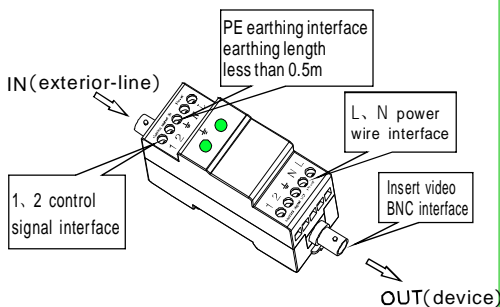
# LDY - XA230BC



Appearance and installation dimension



Wiring diagram



### Application range

LDY-XA230BC series monitoring synthetic lightning protection device are applied to lightning protection of power, control signal, BNC video signal of monitoring system, with function of characteristics of low clamping voltage, quick response, etc.. which can be used to release and prevent the damage to the protected device arising from inductive lightning from power and control wire or the other surge overvoltage. So they are widely used in the field of security monitoring system, "Global E-eye" system of telecom. (option from standard IEC61643-1, IEC61643-21 and GB50343)

### Main features

- ☆ Modularization, DIN rail design, convenient for installation and replacement.
- ☆ Build-in temperature control and circuit breaking technology, strong protection ability, high reliability.
- ☆ Green light on in notice window indicates normal, off indicates broken, clear and easy distinguished.
- ☆ Function of multilayer protection: power, video signal, control signal.
- ☆ Build-in 4mm<sup>2</sup> elevating earthing terminal, more reliable earthing.

### Main technical data

Function module	Power		Control signal	BNC
Normal working voltage $U_n$ V	220 ~	24 -	12	12
Max. continuous AC Voltage $U_c$ V	320 ~	36 -	15	18
Voltage protection level $U_p$ KV	<1500	<600	<80	<80
Normal discharge current $I_n$ (8/20 $\mu$ s) kA	5	5	5	5
Max. Discharge current $I_{max}$ (8/20 $\mu$ s) kA	10	10	-	-
Connection mode	wiring terminal	wiring terminal	wiring terminal	BNC
Transmission rate $V_s$ (bit/s)	-	-	2M	16M
Insertion loss dB	-	-	$\leq 0.5$	$\leq 0.5$
Enclosure material	enhanced flame retardant nylon (flame retardancy: V0)			
Cross-sectional area	$\geq 3 \text{ mm}^2$ stranded/flexible			

### Ordering description

Protected items			Part No.
Power	Video signal	Control signal	
220V AC	✓	✓	0831011
220V AC	✓	○	0831012
24V DC	✓	✓	0831013
24V DC	✓	○	0831014